



## SONODEC 25 GLX

### FLEXIBLE SOUND ATTENUATORS

The **SONODEC 25 GLX** consist of a perforated aluminum inner duct, thermal insulated with a glass wool layer and provided with an aluminium laminated outer duct. An anti-migration barrier between the duct and the insulation wool adds strength and prevents the diffusion of insulation particles, as well as the following functions: improves acoustical performance, avoids cold bridges, leakage, pressure loss, protecting the R-value to be effected by humidity influences and avoid grow of fungus in the insulation wool. Both ends are taped to make ready-made connections.

The SONODEC TRD has an increased insertion loss, the SONODEC GLX, however, has an increased sound attenuation.

#### APPLICATION

- Air supply systems
- Air conditioning systems
- Insertion loss damper
- Sound attenuator
- Decreasing sound of machines

#### SPECIFICATIONS

|                          |                  |
|--------------------------|------------------|
| Article code:            | GX{Ø}/L          |
| Temperature range:       | -30 °C to 140 °C |
| Operating pressure:      | up to +2500 Pa   |
| Operating air velocity:  | max. 25 m/s      |
| Min. bending radius:     | 0.58 x Ø + 25mm  |
| Standard diameter range: | 82 – 508 mm      |
| Standard length:         | 0,5+1+1,5+2 mtr  |

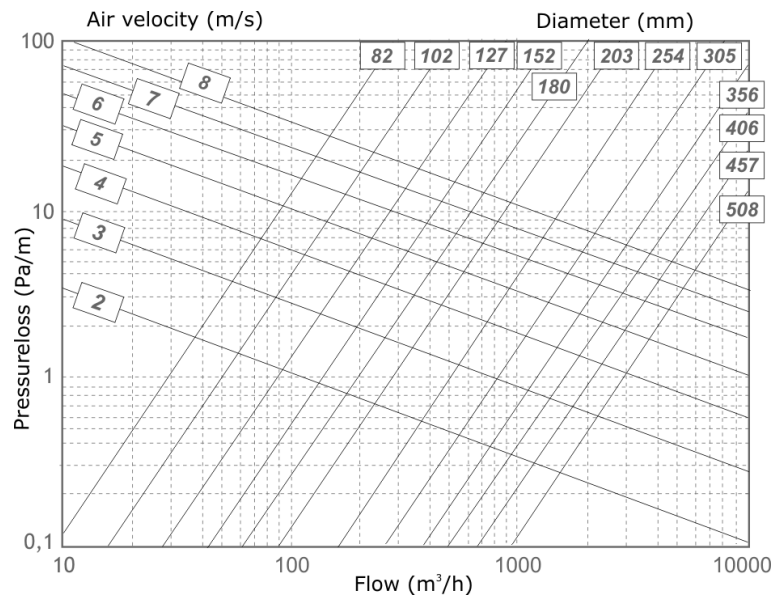
#### CONSTRUCTION

|                     |   |
|---------------------|---|
| Inner duct:         | alu/poly laminate                         |
| Barrier             | closed film                               |
| Glass wool blanket: | 25mm, 16kg/m <sup>3</sup>                 |
| Outer jacket:       | alu/poly laminate                         |
| R-value glass wool: | 0.65 m <sup>2</sup> K/W<br>(ASTM C177-76) |
| Appearance:         | aluminium                                 |

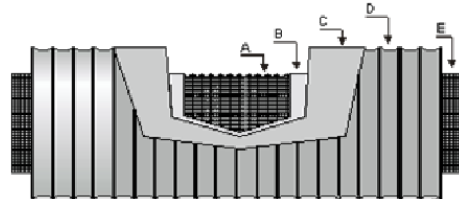
#### CLASSIFICATIONS

|                    |                  |
|--------------------|------------------|
| According to:      |                  |
| Innerduct:         |                  |
| UK (BS476):        | Part 6, 7 and 20 |
| NL(NEN 6065/6066): | 1                |
| FR (NF):           | M0/M1            |

#### PRESSURE LOSS (STRAIGHT DUCT)



- A. inner duct
- B. barrier
- C. glass wool
- D. outer jacket
- E. gasket



**Regulation or protocol**  
French VOC Regulation

#### Conclusion



**Version of regulation or protocol**  
Regulation of March and May 2011  
(DEVL1101903D and DEVL1104875A)

The **SONODEC 25 GLX** fulfills all the requirements and are classified as specified within EN 13180: *Ventilation for buildings – Ductwork - Dimensions and mechanical requirements for flexible ducts.*

The **SONODEC 25 GLX** is also available, on request, with a 50 mm glass wool layer, the article number is: GX50{Ø}  
R-value glass wool: 1.3 (50 mm) m<sup>2</sup> K/W (ASTM C177-76).

#### Reach/RoHs Compliant

Directive 2011/65/EU RoHS  
Phthalates according to 1907/2006/EC REACH  
Test result: Pass - The test items meets the requirements of the test specification



#### LIABILITY:

The information contained in this brochure was current on the publication date. DEC INTERNATIONAL reserves the right to make changes in details at any time without prior notice. In order to avoid misunderstandings, any interested party is advised to contact DEC INTERNATIONAL checking for any changes in materials and/or information after this brochure was published.

#### PLEASE NOTICE:

The consultant is responsible for the actual installation and mounting of the product. The mentioned values with respect to temperatures are not appropriate to be used to determine the physical properties. These properties are also dependent on humidity and the temperature of the air inside and outside of the H.V.A.C. system.

#### TRADEMARKS:

SONODEC, the DEC logo and DEC International are trademarks, or registered trademarks of Dutch Environment Corporation BV in the Netherlands and/or other countries.

#### RESTRICTIONS:

The SONODEC ducts are not suitable for discharging combustion products from open fireplaces and oil-fired boilers. Neither are the SONODEC ducts suitable for transporting air with a high concentration of acid and base.



## SONODEC 25 GLX

FLEXIBLE SOUND ATTENUATORS

**SOUND ATTENUATION**  
According to: **ISO 7235**

| SONODEC 25 GLX      |         | (Test report nr. AB323-6 Peutz bv - The Netherlands) |     |     |      |      |      |
|---------------------|---------|--|-----|-----|------|------|------|
| D <sub>n</sub> (mm) | L (mtr) | Attenuation, dB - Mid-frequency, Hz                  |     |     |      |      |      |
|                     |         | 125  | 250 | 500 | 1000 | 2000 | 4000 |
| 82                  | 1       | 11   | 10  | 16  | 24   | 38   | 27   |
|                     | 2       | 11   | 13  | 25  | 48   | 57   | 40   |
| 102                 | 1       | 3  | 8   | 19  | 35   | 30   | 19   |
|                     | 2       | 5  | 11  | 24  | 46   | 49   | 32   |
| 127                 | 1       | 2  | 5   | 9   | 17   | 24   | 19   |
|                     | 2       | 4  | 8   | 19  | 36   | 40   | 25   |
| 160                 | 1       | 4  | 6   | 12  | 21   | 10   | 8    |
|                     | 2       | 6  | 9   | 18  | 38   | 47   | 26   |
| 203                 | 1       | 2  | 6   | 12  | 21   | 10   | 8    |
|                     | 2       | 5  | 10  | 22  | 42   | 22   | 17   |
| 254                 | 1       | 3  | 6   | 11  | 12   | 8    | 11   |
|                     | 2       | 5  | 10  | 19  | 29   | 15   | 13   |
| 315                 | 1       | 3  | 6   | 11  | 15   | 9    | 9    |
|                     | 2       | 5  | 8   | 15  | 26   | 14   | 16   |
| 457                 | 1       | 1  | 3   | 6   | 9    | 6    | 8    |
|                     | 2       | 5  | 6   | 11  | 17   | 11   | 11   |
| 508                 | 1       | 1  | 4   | 9   | 8    | 6    | 7    |
|                     | 2       | 4  | 7   | 15  | 14   | 10   | 9    |

**LIABILITY:**

The information contained in this brochure was current on the publication date. DEC INTERNATIONAL reserves the right to make changes in details at any time without prior notice. In order to avoid misunderstandings, any interested party is advised to contact DEC INTERNATIONAL checking for any changes in materials and/or information after this brochure was published.

**PLEASE NOTICE:**

The consultant is responsible for the actual installation and mounting of the product. The mentioned values with respect to temperatures are not appropriate to be used to determine the physical properties. These properties are also dependent on humidity and the temperature of the air inside and outside of the H.V.A.C. system.

**TRADEMARKS:**

SONODEC, the DEC logo and DEC International are trademarks, or registered trademarks of Dutch Environment Corporation BV in the Netherlands and/or other countries.

**RESTRICTIONS:**

The SONODEC ducts are not suitable for discharging combustion products from open fireplaces and oil-fired boilers. Neither are the SONODEC ducts suitable for transporting air with a high concentration of acid and base.

